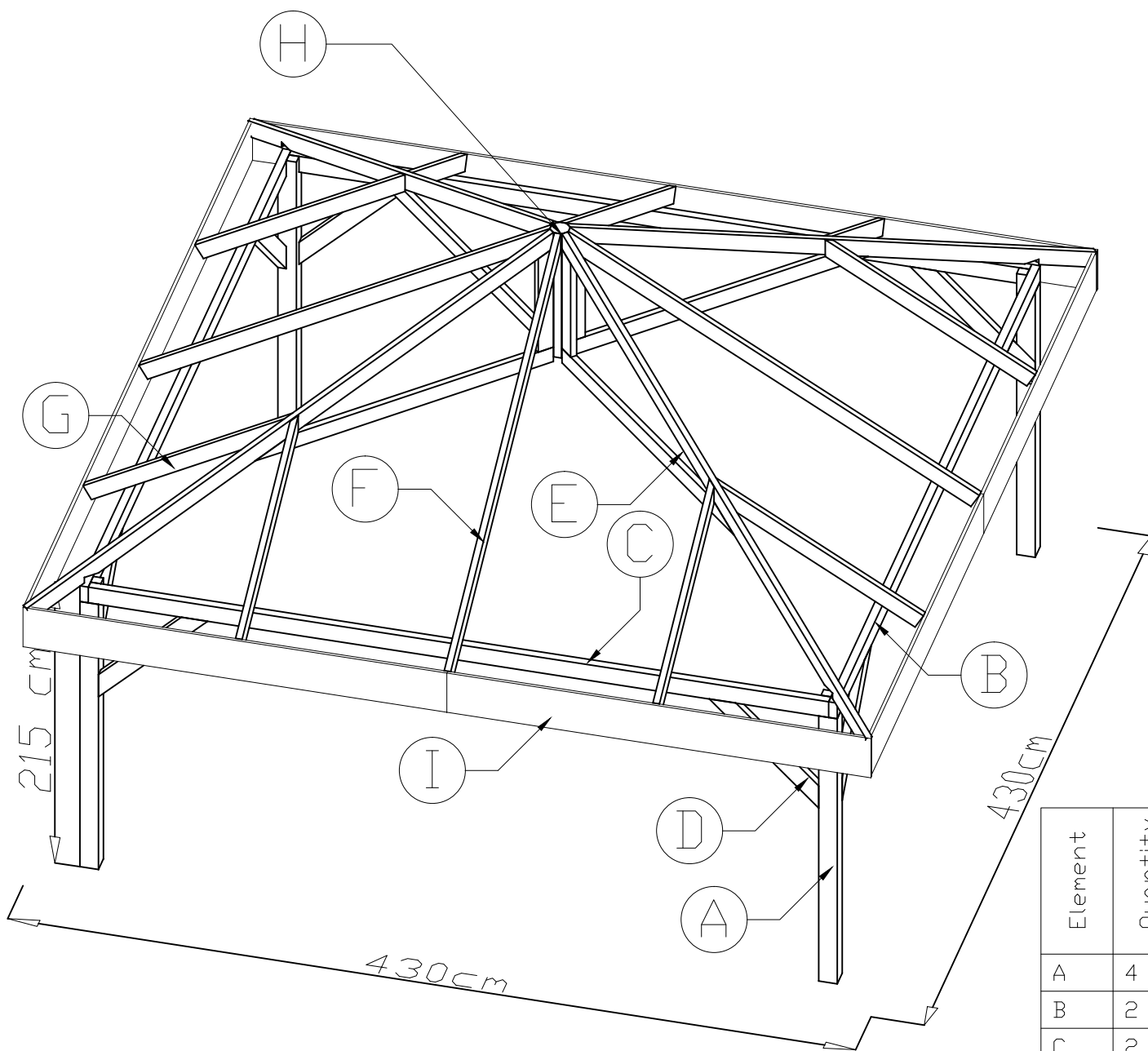


Gazebo Syros



Element	Quantity
A	4
B	2
C	2
D	8
E	4
F	4
G	4
H	1
I	8

Article:

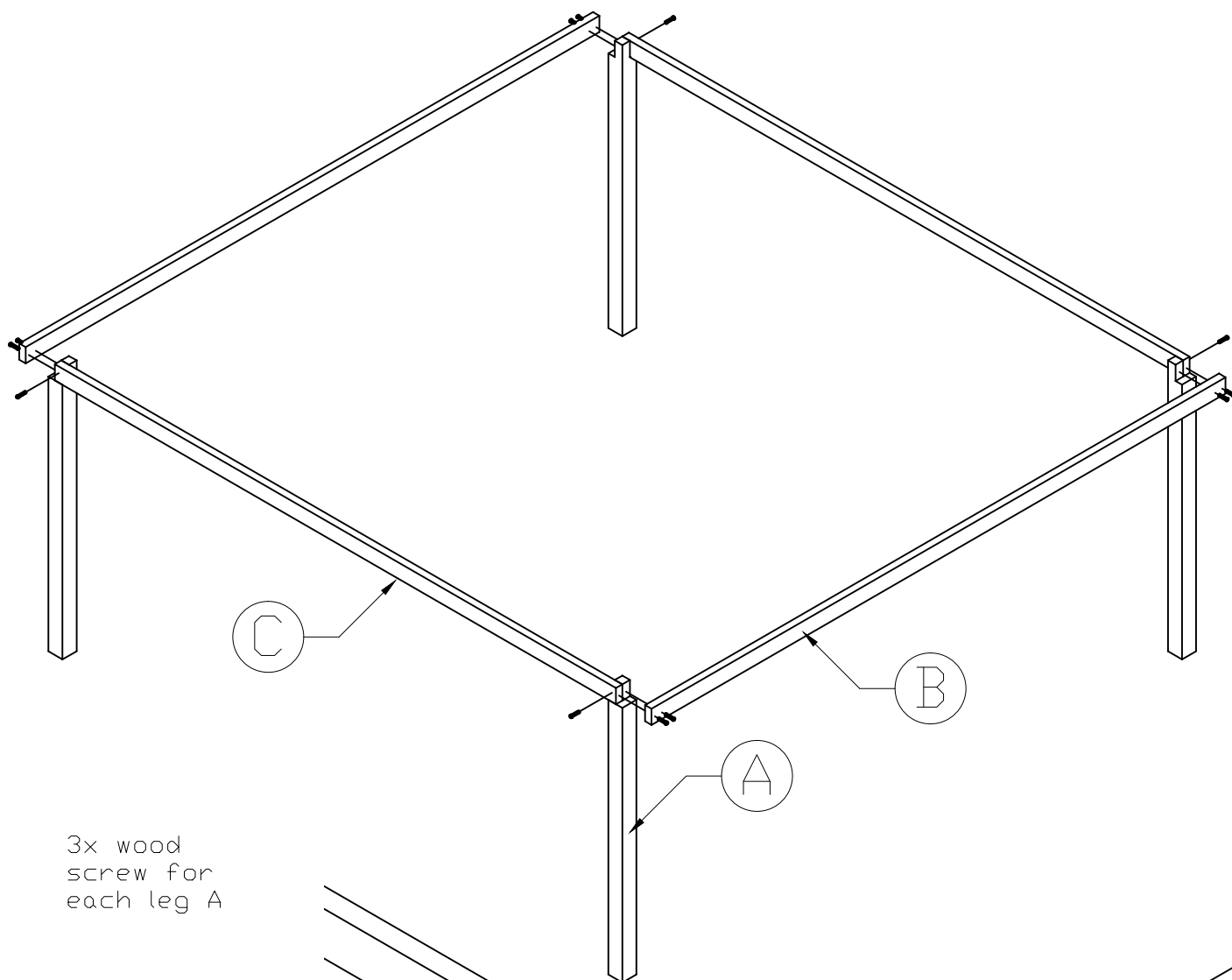
Gazebo Syros

Page:

2/9

Article nr:

45.4343



3x wood
screw for
each leg A

Article:

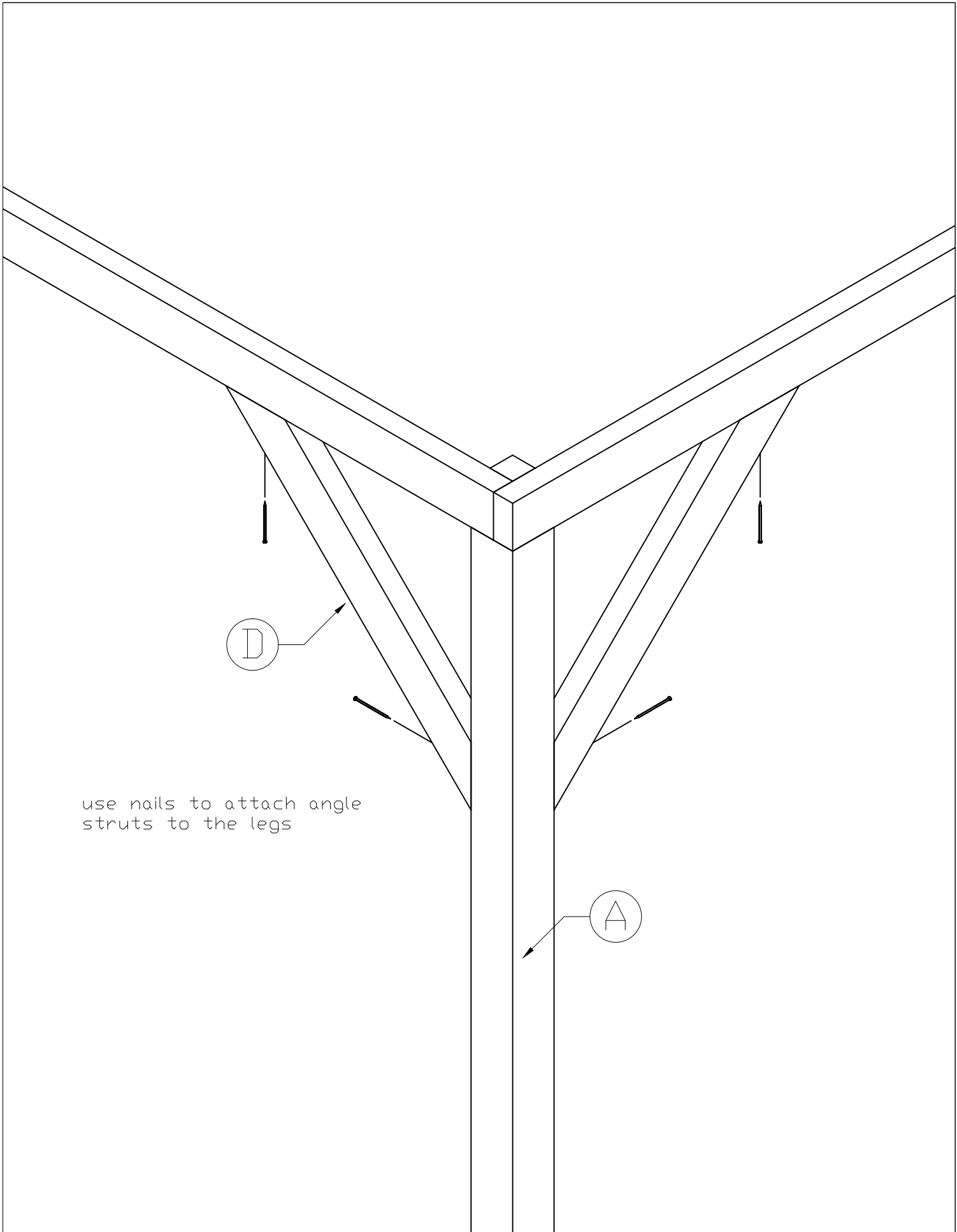
Gazebo Syros

Page:

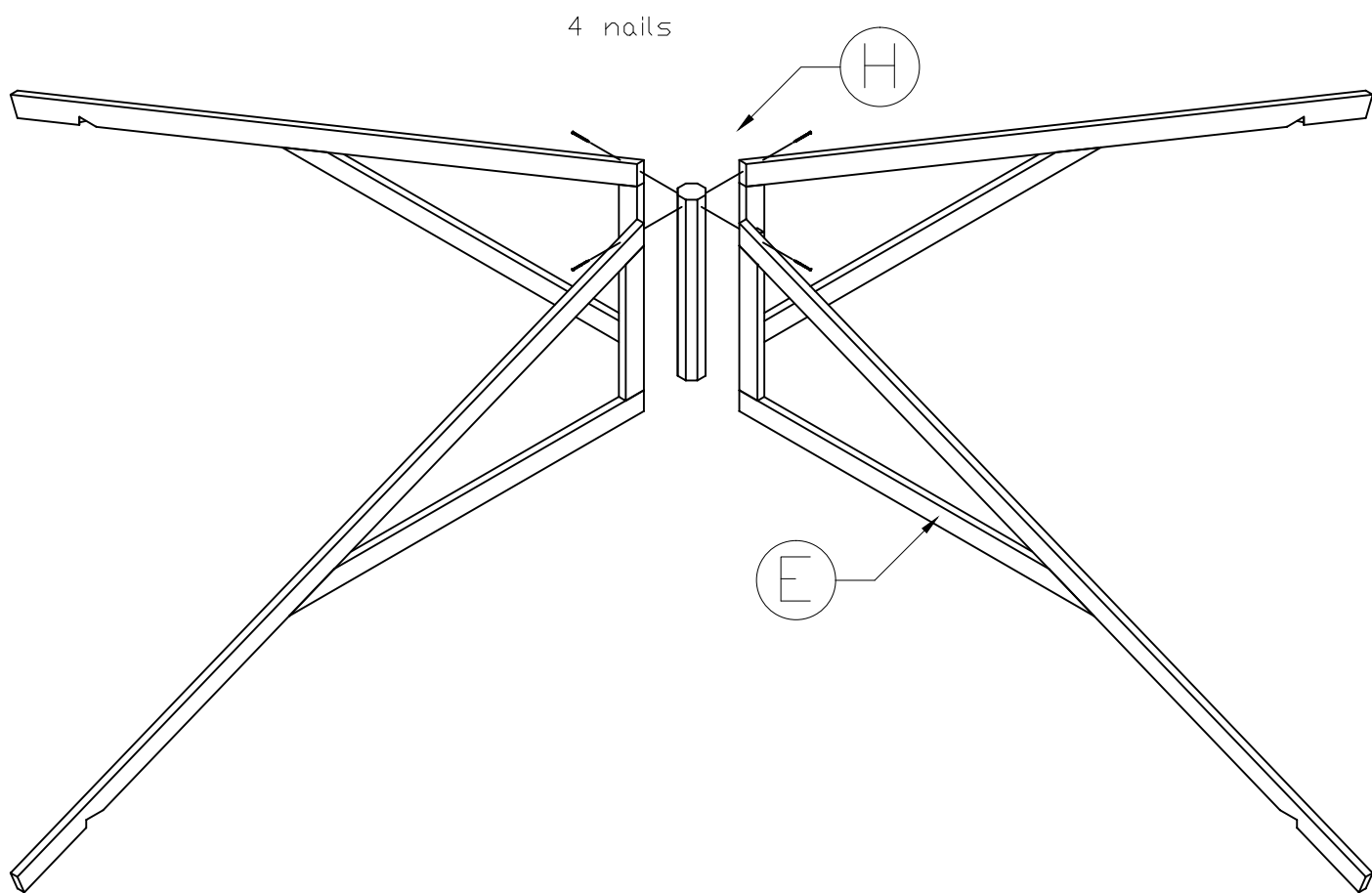
3/9

Article nr:

45.4343



use nails to attach angle struts to the legs



Article:

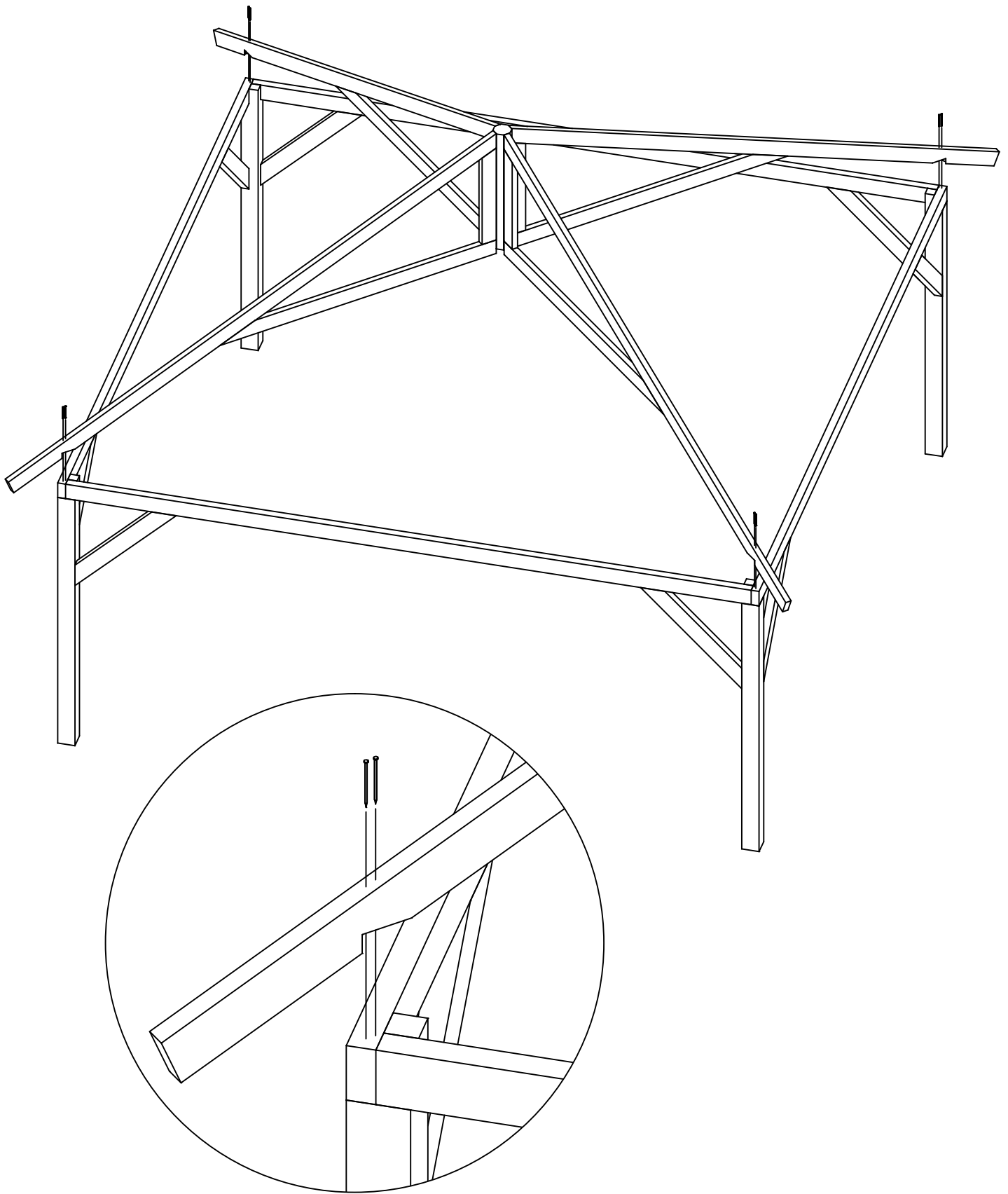
Gazebo Syros

Page:

5/9

Article nr:

45.4343

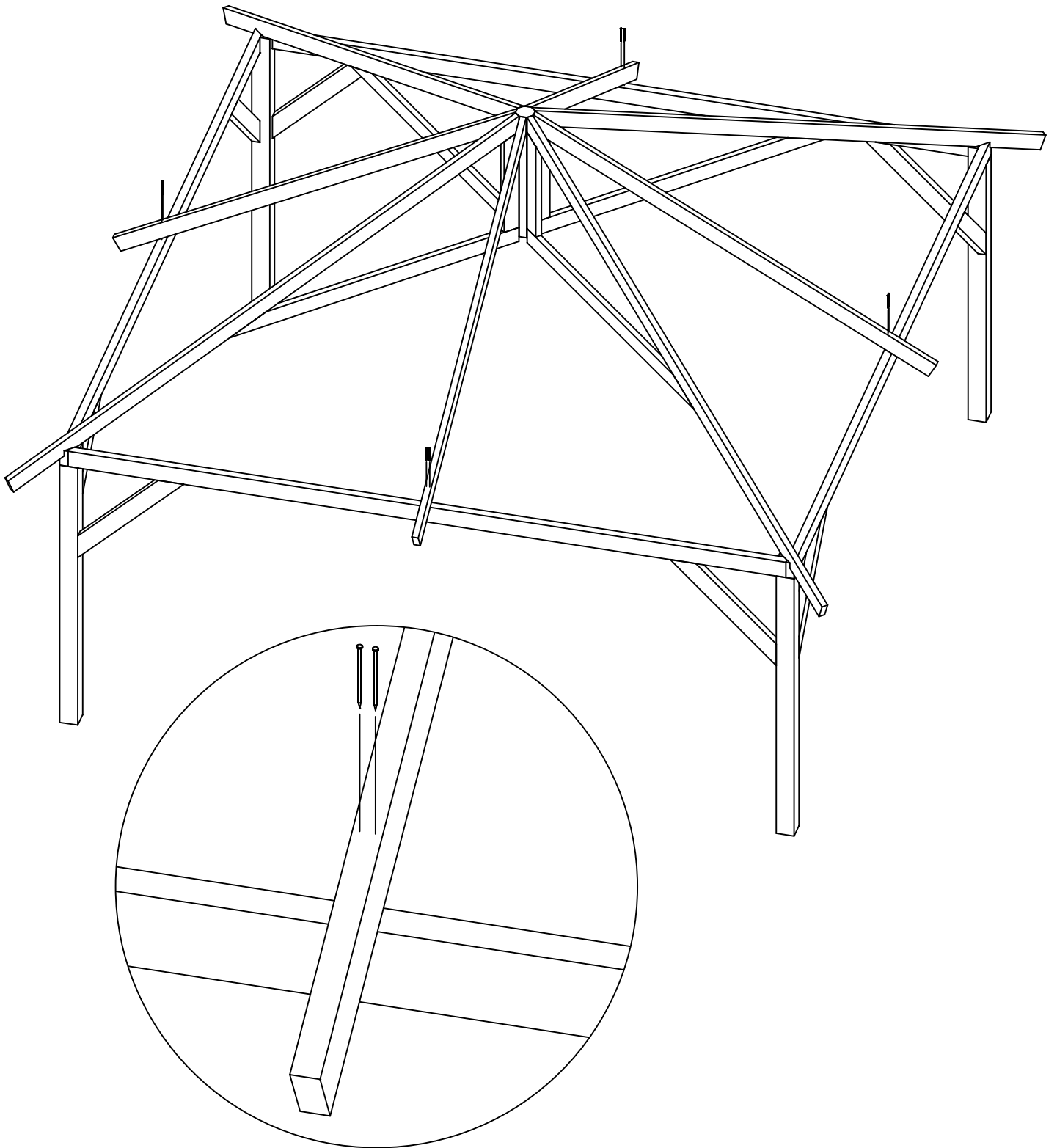


Article:
Gazebo Syros

Page:
6/9

Article nr:
45.4343



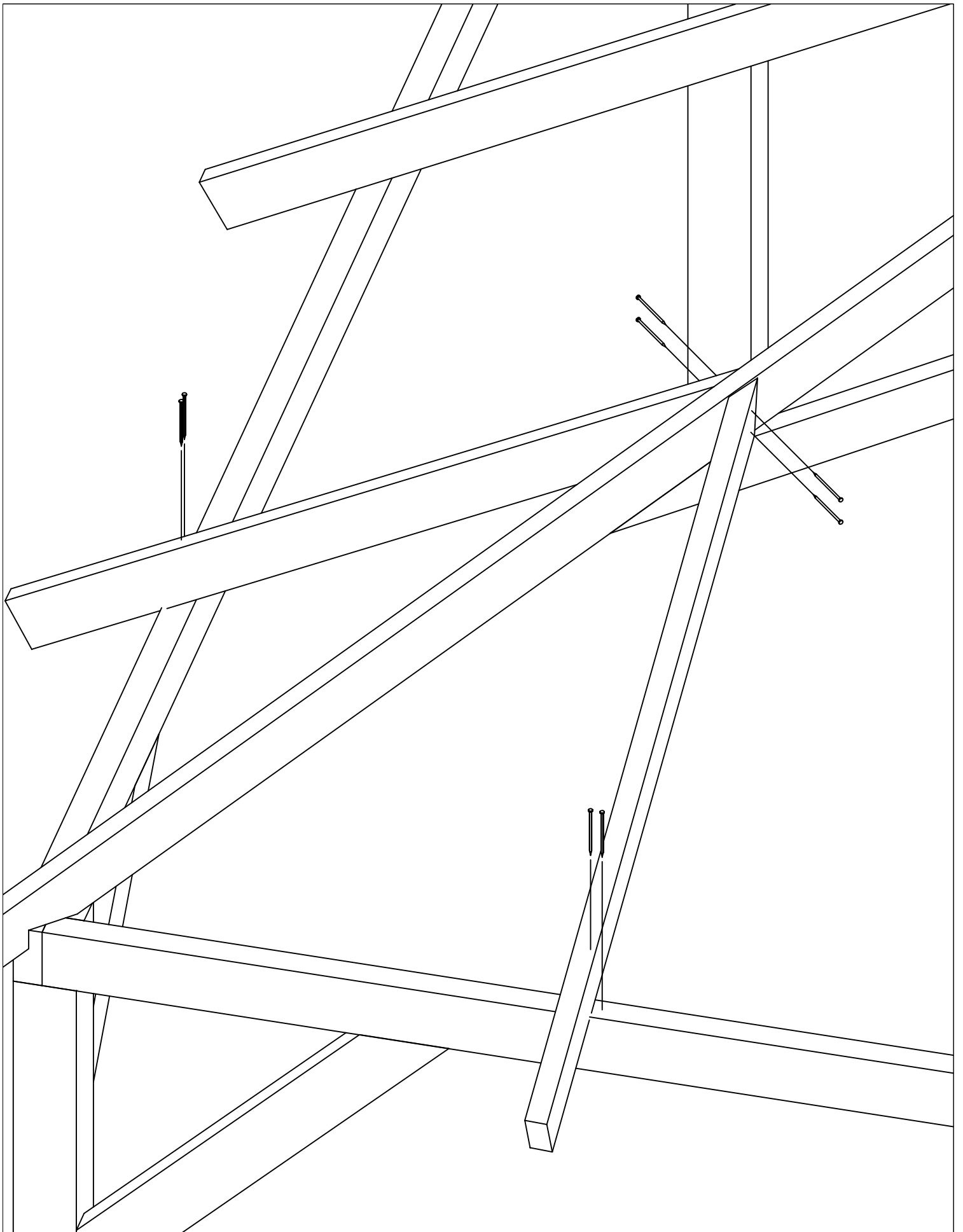


Article:
Gazebo Syros

Page:
7/9

Article nr:
45.4343





Article:

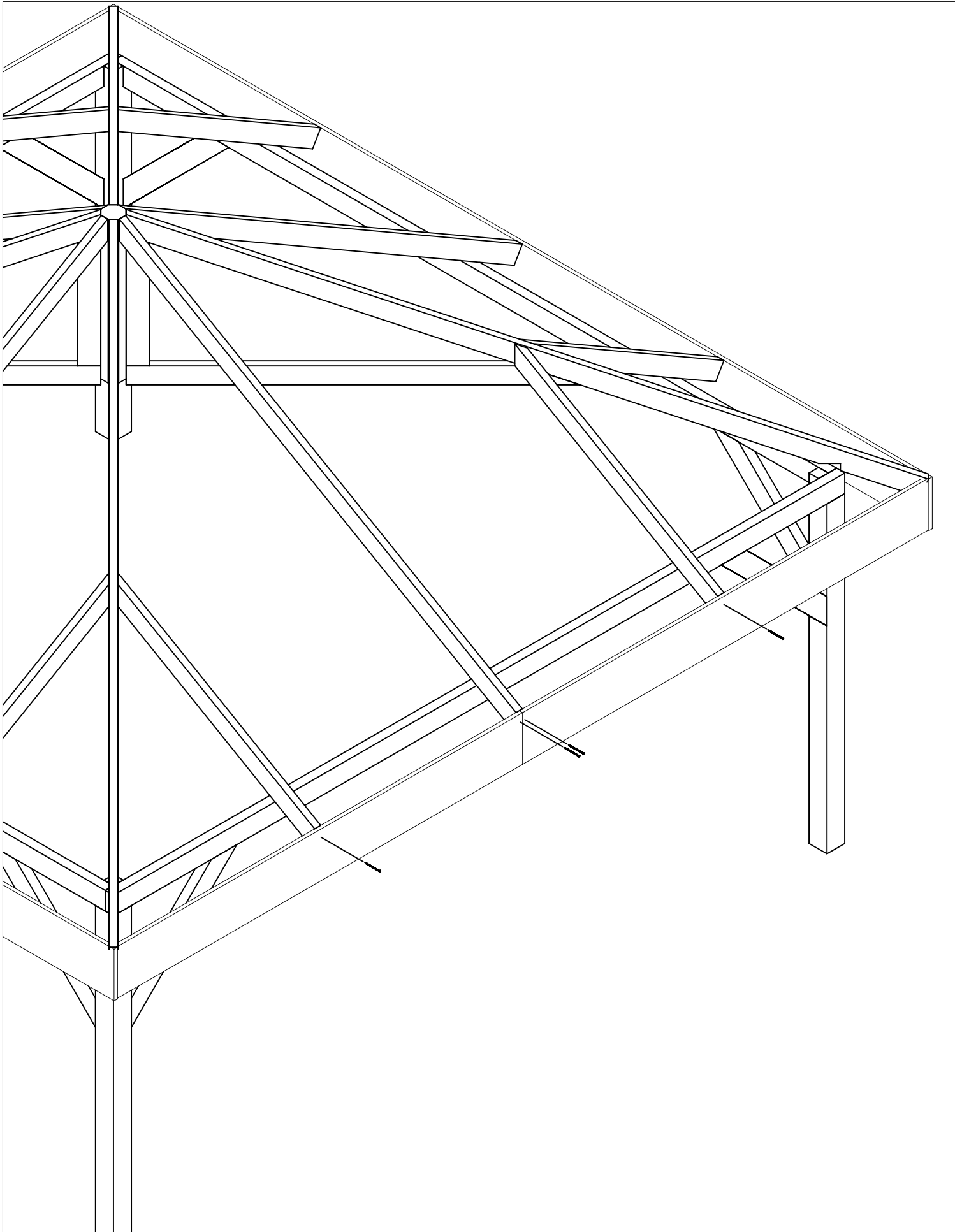
Gazebo Syros

Page:

8 / 9

Article nr:

45.4343



Article:

Gazebo Syros

Page:

9/9

Article nr:

45.4343

